

Features

- Reduced port Tport / L port 1/4"~3"(DN8~DN80)
- W.P.:1000WOG(PN63)
- W.T.: -20°C~180 °C
- Investment casting
- Blow-out proof stem
- Live-loading design
- Anti-static device(option)
- There are four seats
- 360° Rotary handle
- ISO 5211 Direct mounting pad
- Automation accessories(option)
- Thred type: ASME B1.20.1(NPT) DIN 259 / DIN2999, BS21 ISO 288-1, ISO 7-1

Applications

Stainless steel 3-way ball valves are typically used to control water, air, oil, vacuum and other media compatible with the materials of construction. Often used as a diverter, selector or mixing valve with a variety of flow path options through the valve. Unique four ball seat design allows for full pressure at any port. Air or electric actuators can be direct mounted using standard ISO5211 mounting pad, eliminating the need for extra mounting brackets and couplings. Suitable for vacuum service to 736 mmHg (29inHg)

Description

Full port investment cast stainless steel body and ball for maximum flow and minimum pressure drop. Adjustable live loaded stem seal packing helps compensate for wear, pressure or temperature fluctuations, extending the cycle life of the valve. Blow-out proof stem.



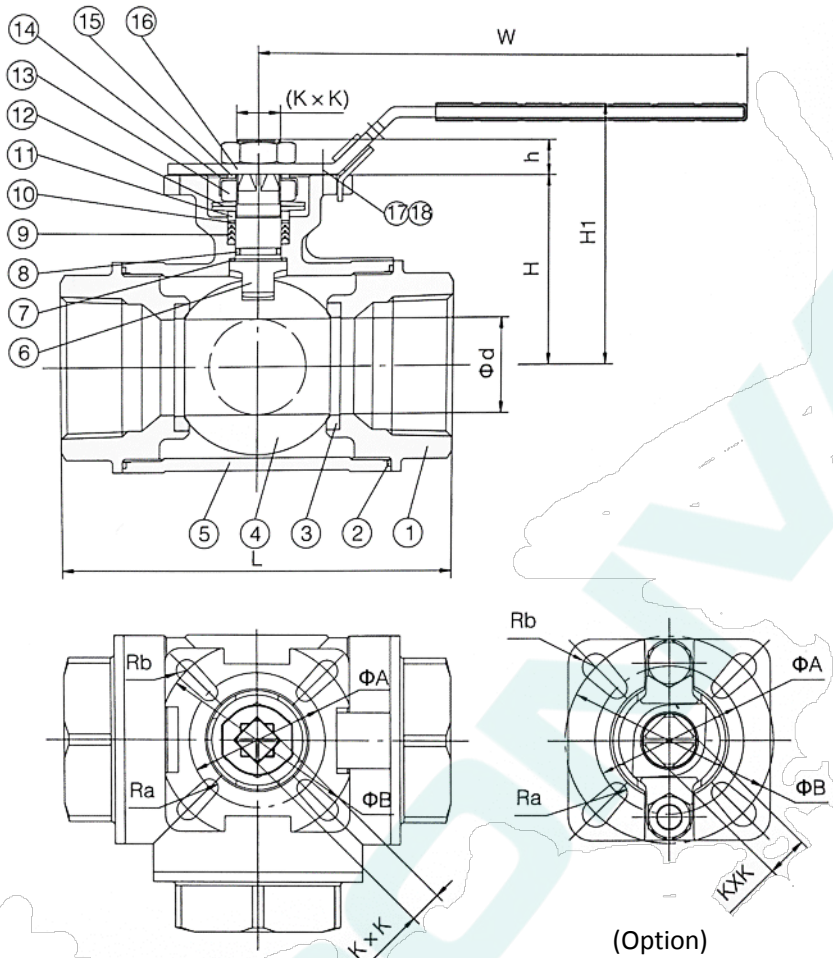
Operation

Turning the hand lever one quarter-turn (90°) rotates the ball from position one to position two. Latch locking device allows for pad locking the valve in either position. Remove the hand lever and the valve is actuator ready with standard ISO5211 mounting pad and square output shaft.

Options

- Air Actuators
- Electric Actuators
- Gear Box

Dimensions: (mm)



MATERIAL LIST

ITEM	PARTS	MATERIAL		
		WCB	CF8	CF8M
1	BONNET			
2	GASKET	PTFE		
3	SEAT	PTFE		
4	BALL	CF8	CF8	CF8M
5	BODY	WCB	CF8	CF8M
6	STEM	304	304	316
7	STEM WASHER	PTFE+25% GF		
8	O RING	FPM		
9	PACKING	PTFE		
10	WEAR WASHER	PTFE+25% GF		
11	GLAND	304		
12	DISC SPRING	304		
13	NUT	304		
14	CROWN WASHER	304		
15	WASHER	304		
16	HANDLE	304+PVC		
17	HEX SOCKET BOLT	304		
18	NUT	304		

DIMENSIONS

SIZE	d	L	H	h	KxK	A	B	Ra	Rb	W	H1	
1/4"	DN8	10	71.5	34	9	9x9	36	42	3.0	3.0	125	62
3/8"	DN10	10	71.5	34	9	9x9	36	42	3.0	3.0	125	62
1/2"	DN15	10	71.5	34	9	9x9	36	42	3.0	3.0	125	62
3/4"	DN20	15	83.5	42	9	9x9	36	42	3.0	3.0	125	70
1"	DN25	18	90	52	9	9x9	42	50	3.0	3.5	140	82
1-1/4"	DN32	25	116	58	11	11x11	42	50	3.0	3.5	140	88
1-1/2"	DN40	32	133	67	14	14x14	50	70	3.5	4.5	180	97
2"	DN50	40	146	78	14	14x14	50	70	3.5	4.5	180	108
2-1/2"	DN65	50	200	97	17	17x17	70	102	4.5	5.5	260	133
3"	DN80	65	237	112	17	17x17	70	102	4.5	5.5	260	148